

Residential Duct Design & Sealing

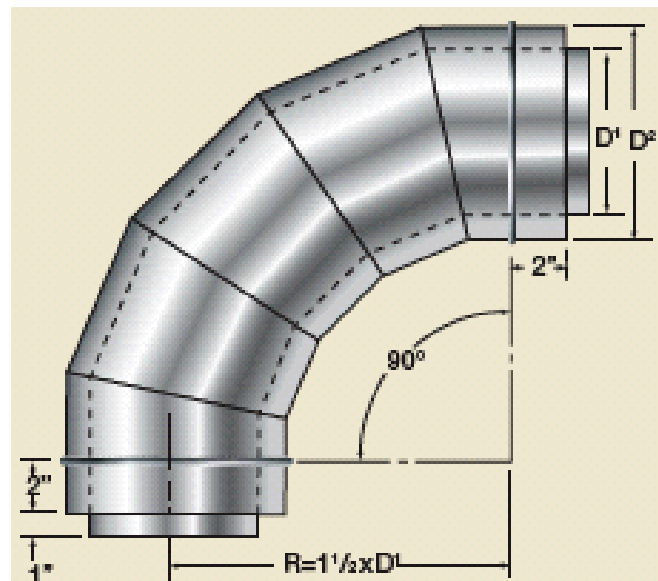
This is a comprehensive course that will deal with proper installation procedures of newly constructed ductwork, as well as pre-existing ducts. Technicians will learn how to spot problems with leaking ducts. The class will also discuss how sealing a duct run can inversely affect not only the airflow, but also the static pressure inside a duct. We will also look at the total effective length of ductwork in a house. Students will explore some of the performance problems that may occur when using duct board and flex duct. Also, by utilizing ACCA Manual D, the technician will understand the importance of proper duct design. This approach of selecting the proper size and sealing ductwork can reduce a multitude of air related problems that most houses are faced with today. **Technicians earn 6 NATE CEHs toward re-certification in all specialties except Oil Hydronics and Refrigeration and/or 3 BPI continuing education credits.**

Course Topics Include:

- Components of a Duct System
- Types of Ducts
- Energy Loss
- Thermal Regain
- Health & Safety Issues
- Comfort
- Testing Ducts
- Pressure Drops
- Mastics and Tapes

Registration Fee covers:

- Certificate of Attendance
- ACCA D Manual
- Lunch



Check our online Training Schedule for Class Dates & Times!

Registration Fee: \$250
EHCC Member Fee: \$200

To enroll, call toll free 1-800-247-6547, or FAX us at 1-856-608-0923
Ask about our special in-house training rates!